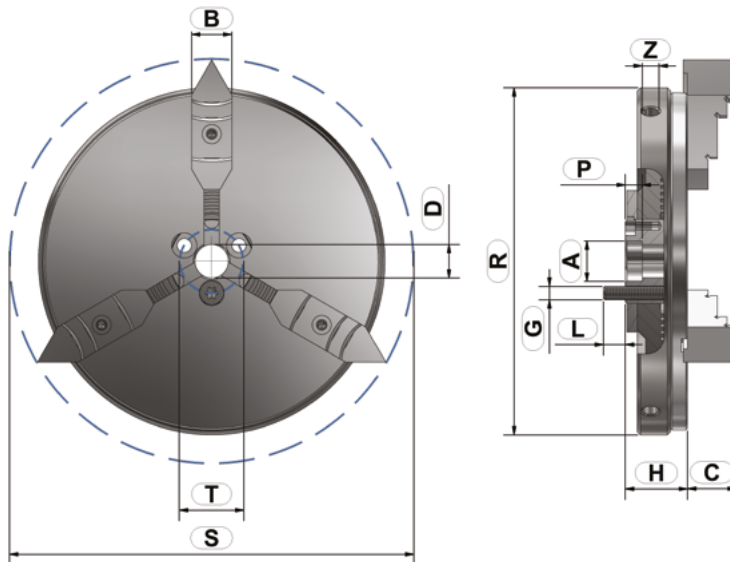


FLAT AND LIGHT CONSTRUCTION WITH BASIC- AND TOP JAWS

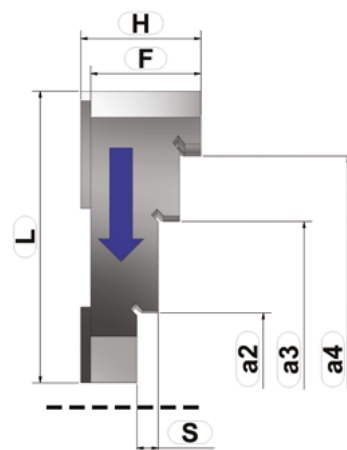
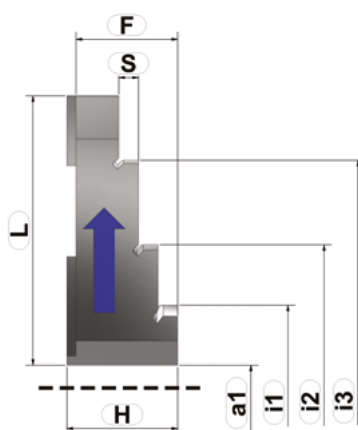
Technical data and order overview Typ UFS (3-Jaw chuck)



Sizes		55	70	100	150
A 0/+0,01	Interface [mm]	10	11	12	20
B	Jaw width [mm]	8	10	12	18
C	Jaw height (Standard) [mm]	9	10,5	14,5	18,5
D	Ø center hole [mm]	8	8	10	16
G	Fixing screws	3 x M3	3 x M3	3 x M4	4 x M5
H	Height without Jaws [mm]	14	16	18,5	21,5
L	Thread length [mm]	5,75	4,5	6,5	5
P	Fit lenght [mm]	5	5	5	5
R	Outside-Ø [mm]	58	73	103	153
S	Max. circuit diameter [mm]	73,5	87,5	119,5	183,5
T	Circle for mounting [mm]	14,5	17	18,8	28
Z	Clamping bore [mm]	-	3	5	5
	Concentricity [mm]	0,02	0,02	0,02	0,02
	Rotation speed n max. [1/min.]	2500	2500	2000	1500
	Travel path [mm im Ø]	15	23,5	36,5	47
	Weight [mm]	0,3	0,5	1	2,5
	Order number (without jaws)	UFS.055.000	UFS.070.000	UFS.100.000	UFS.150.000

JAW-SET 3 UFS COMPLETE (INSIDE AND OUTSIDE CLAMPING)

Technical data and order overview



Sizes		55	70	100	150
a1	Clamping range outside	1 - 16	1 - 24	1 - 37	1 - 48
a2		25 - 39	28 - 50	34 - 69	51 - 98
a3		38 - 52	44 - 66	57 - 92	78 - 125
a4		52 - 66	57 - 79	75 - 110	116 - 163
i1	Clamping range inside	14 - 29	14 - 37	19 - 55	32 - 79
i2		27 - 42	26 - 49	36 - 72	70 - 117
i3		50 - 55	42 - 65	60 - 96	95 - 142
F	Height from Chuck body	9	10,5	14,5	18,5
H	Maximum height [mm]	10	11,5	15,5	19,5
L	Total length [mm]	24,5	26	38,5	60
S	Step height	2	2,3	2,8	4
	Jaw width [mm]	8	10	12	18
Order number (without Chuck)		UFS.055.013	UFS.070.013	UFS.100.013	UFS.150.013

JAW-SET 3 UFS BLOC (BLOCKBACK)

Technical data and order overview



Sizes		55	70	100	150
F	Height from Chuck body	9	10,5	14,5	18,5
H	Maximum height [mm]	10	11,5	15,5	19,5
L	Total lenght [mm]	24,5	26	38,5	60
	Jaw width [mm]	8	10	12	18
	Order number (without jaws)	UFS.055.000	UFS.070.000	UFS.100.000	UFS.150.000