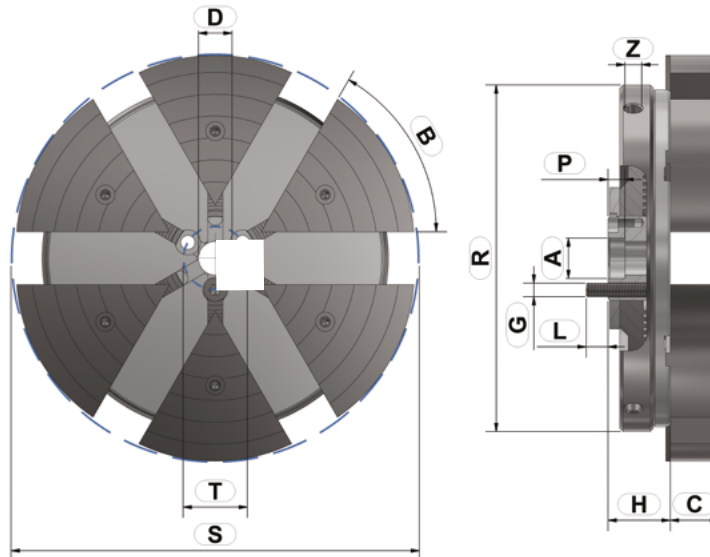


FORM FIT CLAMPING WITH BASIC- AND TOP JAWS

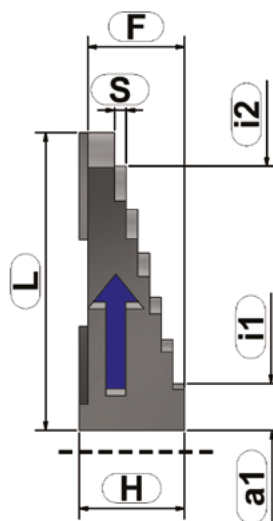
Technical data and order overview Typ UFS (6- oder 8-Jaw chuck)



Sizes		55	70	100	150
A 0/+0,01	Interface [mm]	10	11	12	20
B	Jaw width [mm]	60	60	60	45
C	Jaw height (Standard) [mm]	9	10,5	14,5	18,5
D	∅ center hole [mm]	8	8	10	16
G	Fixing screws	3 x M3	3 x M3	3 x M4	4 x M5
H	Height without Jaws [mm]	14	16	18,5	21,5
L	Thread length [mm]	5,75	4,5	6,5	5
P	Fit length [mm]	5	5	5	5
R	Outside-∅ [mm]	58	73	103	153
S	Max. circuit diameter [mm]	73,5	87,5	119,5	183,5
T	Circle for mounting [mm]	14,5	17	18,8	28
Z	Clamping bore [mm]	-	3	5	5
	max. Spannkraft [KN]				
	Rotation speed n max. [1/min.]	2500	2500	2000	1500
	Travel path [mm im ∅]	15	23,5	36,5	47
	Weight [mm]	0,3	0,5	1	2,5
	Order number (without jaws)	UFS.055.000	UFS.070.000	UFS.100.000	UFS.150.000

JAW-SET UFS INSIDE (INTERNAL STRESS)

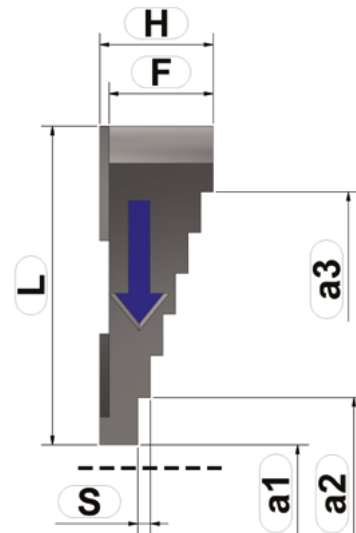
Technical data and order overview



Sizes	55	70	100	150	
a1	Clamping range outside	1 - 16	1 - 24	1 - 37	1 - 48
i1	Clamping range inside min.	10 - 25	12,5 - 36	15 - 51	20 - 67
i2	Clamping range inside max.	47 - 62	52,5 - 76	80 - 116	105 - 152
F	Height from Chuck body	11	12	14,5	18,5
H	Maximum height [mm]	12	13	16	20
L	Total length [mm]	27	29,75	44,5	60
S	Step height	1,25	1,5	1,75	2
	Clamping jaw angle (degree)	60	60	60	45
	Order number (without Chuck)	UFS.055.021	UFS.070.021	UFS.100.021	UFS.150.021

JAW-SET UFS OUTSIDE (OUTSIDE CLAMPING)

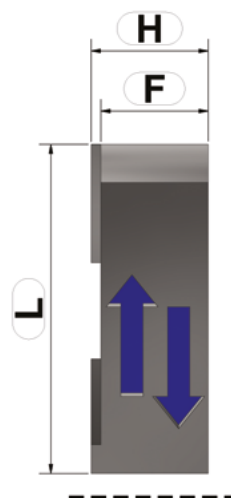
Technical data and order overview



	Sizes	55	70	100	150
a1	Clamping range outside	1 - 16	1 - 24	1 - 37	1 - 48
i1	Clamping range inside min.	10 - 25	13,5 - 37	15 - 51	20 - 67
i2	Clamping range inside max.	47 - 62	53,5 - 77	80 - 116	105 - 152
F	Height from Chuck body	11	12	14,5	18,5
H	Maximum height [mm]	12	13	16	20
L	Total length [mm]	27	29,75	44,5	60
S	Step height	1,25	1,5	1,75	2
	Clamping jaw angle (degree)	60	60	60	45
	Order number (without Chuck)	UFS.055.022	UFS.070.022	UFS.100.022	UFS.150.022

JAW-SET UFS BLOC (BLOCKBACK)

Technical data and order overview



Sizes		55	70	100	150
F	Height from Chuck body	11	12	14,5	18,5
H	Maximum height [mm]	12	13	16	20
L	Total length [mm]	27	29,75	44,5	60
	Clamping jaw angle (degree)	60	60	60	45
	Order number (without Chuck)	UFS.055.023	UFS.070.023	UFS.100.023	UFS.150.023