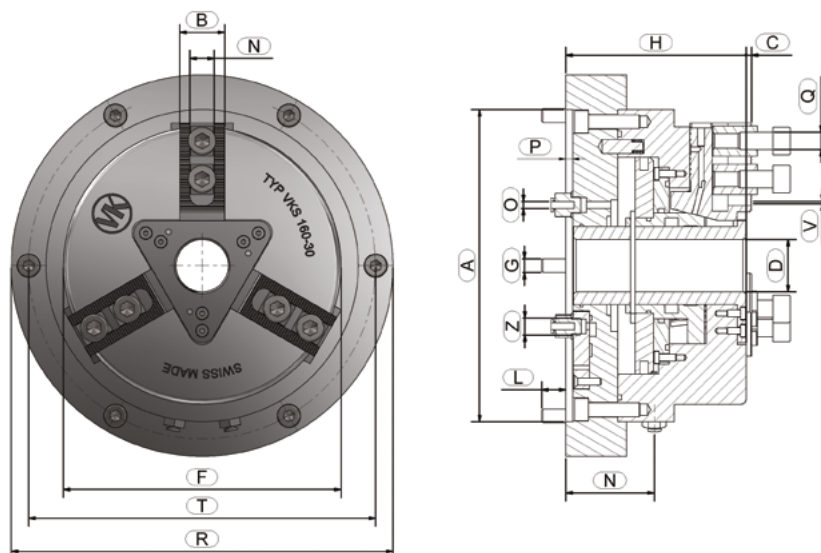


POWER CHUCKS PNEUMATIC WITH WEDGE HOOKS FOR UNIVERSAL USE

Technical data Type VKS (3-jaw chuck)



	Size	160
A H8	Interface [mm]	180
B	Jaw width [mm]	26
C	Jaw height [mm]	3
D	Ø passage [mm]	30,2
F	Ø chuck [mm]	160
G	Mounting screws	6 × M8
H	Height chuck [mm]	104
L	Thread length [mm]	14
N H8	Width slot nut [mm]	14
P	Interface length [mm]	4
Q	Fixing sliding block	M10
R	Outside Ø [mm]	220
T	Fixing hole circle [mm]	200
V	Gearing base jaws	1/16" × 90
Z	Connection thread	G1/8"
	Concentricity [mm]	0,03
	Speed n max. [1 / min.]	2000
	Weight [kg]	18
	Tensioning force [kN]	24
	Jaw stroke [mm / Ø]	6
	max. inlet pressure [bar]	10