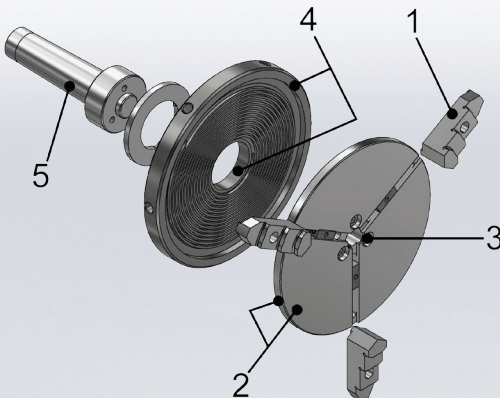
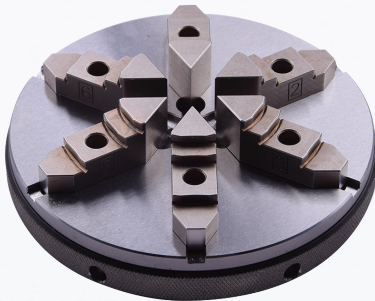
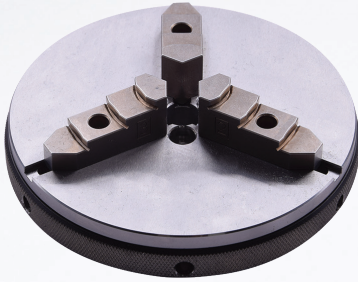


UFS

Precision chuck made of stainless steel
Stainless steel

For measurement applications and precision mechanic

VK systems



| | |
|---------------------|---------|
| Concentricity | 0,02mm |
| Repetitive accuracy | 0,005mm |
| Lateral runout | 0,01mm |

Application

Measurement technology

Erode

Grinding

Sizes

55, 70, 100, 150, 200

Key advantages

- Available as 3-, 6- or 8-jaws chuck
- Perfect for measurement technology e.g. shaft measuring center
- Precision chuck made of stainless steel
- Flat and light construction
- The spiral is coated and low maintenance
- Can be used in food and medical technology

In detail

1. Reversible top jaws for inside- and outside clamping (hardened / ground)
2. Chuck alignment at the chuck body (concentricity and lateral runout)
3. Chuck are fasten by three screws
4. Jaw chuck is low maintenance because the spiral is coated
5. Optional deliverable with different adaption e.g. MK2